



Eleganza EZ

universal hospital bed



Eleganza EZ – a new generation of care

The Eleganza EZ meets the high demands of a modern hospital environment. It's simple construction enables easy operation, cleaning, and maintenance. The bed is equipped with a series of unique features while remaining at an affordable price.



ELEGANZA EZ

- Unique siderail solution
- Patient mobilization
- Simple bed hygiene
- Column construction
- Useful Features



ELEGANZA

SIDERAILS

are a crucial element for protecting a patient against a fall. The Eleganza EZ bed brings a totally new siderail concept, a full-length split siderail design. The Eleganza EZ also offers the maximum rail height coverage available which also helps protect patients from falls.

PATIENT MOBILIZATION

is the basis for better rehabilitation and removal of negative consequences associated with patient immobility. The new siderail construction solution helps patients reposition and exit the bed safely. It also assists staff with patient positioning and contributes to reducing the incidence of job-related injury in the nursing profession.

SIMPLE BED HYGIENE

is part of effective preventive measures against hospital infections. Increasing the risk of infection means a threat to patients and their successful treatment. The Eleganza EZ bed construction enables easy access to all parts of the bed making cleaning more simple and quicker.

COLUMN UNIT

is a patented LINET company solution. The bed's unique base provides great stability and improves functionality even at a safe working load of 500 lbs. The column construction allows the bed to be adjusted to the Trendelenburg (and Reverse) and cardiac chair positions. The smooth, sealed column construction is the basis for very simple hygiene.

USEFUL FEATURES

on the Eleganza EZ provide nurse staff with the important functions that matter, without paying more for needless bells and whistles.

Unique Siderail Safety Concept

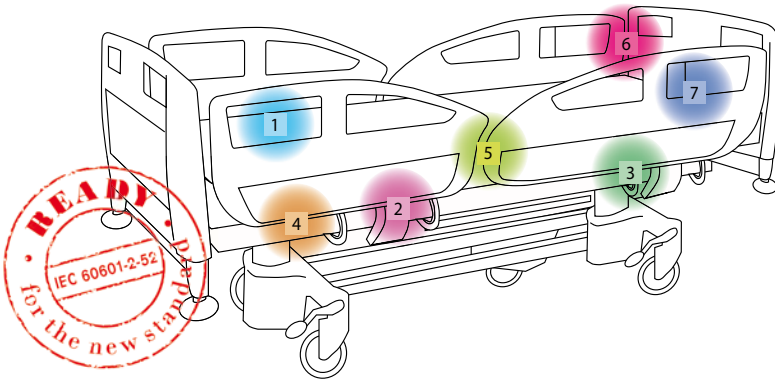
The Eleganza EZ's new safety concept brings a unique solution for the demanding requirements of siderail functionality. The unique full-length split siderail system protects the patient from an unwanted fall.

The siderails enable nursing staff to have individual access to patients based on their needs and health condition. Should a nurse be performing a procedure during which one siderail is lowered, the other remains in a safe position; the patient is constantly protected against a fall or injury.

READY FOR A NEW STANDARD

The bed siderails are one of three main problem areas dealt with in detail by a new standard for electrically adjustable beds, the EN 60601-2-52.

Siderails meeting the requirements of the new standard can show that when used they reduce the risk of dangerous situations to a minimum, such as head or neck entrapment or a patient's limbs becoming trapped. They prevent situations which may have fatal repercussions. The standard defines the very precise distance values and intervals which prevent a patient's head or limbs from being trapped between the siderails, or between the siderails and mattress platform. The Eleganza EZ siderails fully meet the prescribed dimensions.



7 SAFETY ZONES

In response to the increased incidence of injury associated with bed construction, 7 areas and their dimensions were defined, including bed handling procedures to reduce the risks of trapping the patient. The recommendation of this guideline complies with the requirements of the new EN 60601-2-52 standard.

	Eleganza EZ
space inside the siderail	1
space under the siderail, between the supporting elements	2
space between the siderail and mattress	3
space under the siderail, at the end of the siderail	4
space between the split siderails	5
space between the siderail and the foot/head end	6
gap between the mattress and the foot/head end	7



The simple mechanism allows the siderail to be adjusted quickly and comfortably to the required position.



The siderails are equipped with an integrated control available to the patient and nursing staff.



ELEGANZA

IMMOBILITY AND ITS NEGATIVE CONSEQUENCES

Medical complications arising from extended immobility may seriously affect the process of a patient's recovery. The threat is all the more serious because all organ systems react to the loss of mobile activity. Immobility increases the risk of thromboembolic conditions, uroinfections, the incidence of pressure ulcers, makes respiration worse and causes degradation of the musculoskeletal apparatus.

Immobility is a secondary cause of weakening of the muscles, serious dementia, worsening eyesight and fractures of the thigh and shin bones.

Albert Einstein College of Medicine, Yeshiva University, New York

DANGEROUS FALLS

Falls are a common phenomena in hospitals and other medical and social facilities. They pose a great medical, social and economic problem.

- Falls cause unpleasant complications with serious implications.
- The hospitalization period is extended.
- The patient suffers pain which prevents further therapy.
- The hospital could be threatened by lawsuits.

According to many statistics, serious injuries occur in 5% of falls in hospitals and social facilities, above all resulting in fractures. 15% of falls cause light injuries, but over 45% of people after an injury caused by a fall remain in permanent institutional care.

MOBILIZATION: A RETURN TO LIFE

Mobilization means easier rehabilitation. The Eleganza EZ bed is equipped with a system of elements, which facilitate patient mobilization and provide safety when repositioning and standing.



1. The patient comfortably adjusts the bed's optimum height for getting up using the control integrated into the siderail.

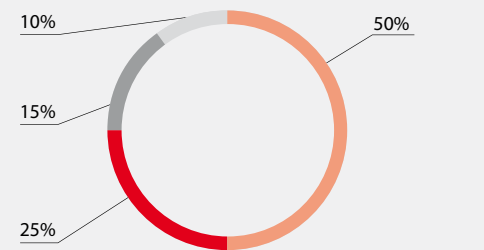


2. The patient holds onto the siderail with both hands, and can select the bed's appropriate height for getting up using the integrated control.



3. The patient in the standing position holds onto the siderail, thanks to which she can take the first safe steps.

FALL CAUSES IN INSTITUTION CARE IN A ROOM



- connected with the bed
- unstable room furniture
- freely mobile bedside cabinet
- un-braked bed castors

Thomayer University Hospital and Policlinic, Prague 2006

Original Features for Quality Care

The Eleganza EZ bed is a new generation from the successful range of Eleganza products. It has a series of original functions significantly improving the quality of patient care and facilitating the demanding work of nursing staff.

SIMPLE BED HYGIENE

Excellent bed hygiene is one of the foundations for effective nosocomial infection prevention. The Eleganza EZ bed meets the needs of quick disinfection with a simple and easy-to-clean construction.

Among the most exposed parts of the bed touched by staff and the patient several times a day are the bed ends and siderails. So joint-free technology is applied to their production minimizing the transmission of nosocomial infections.



The easily removable mattress platform covers are simple to wash and allow access to other parts of the bed allowing total bed hygiene.



The smooth column construction without difficult-to-reach joints and gaps means it has a great head start in hygiene compared to other electrical bed construction mechanisms.



COLUMN CONSTRUCTION

The Eleganza EZ bed's main bed construction feature is its linear column unit, the so-called column construction. Telescopic, electrically driven column units bring a number of user benefits to healthcare.

- Electrical positioning
- Simple hygiene
- Great stability and load capacity
- Modern design



The linear column unit is protected by a patent.

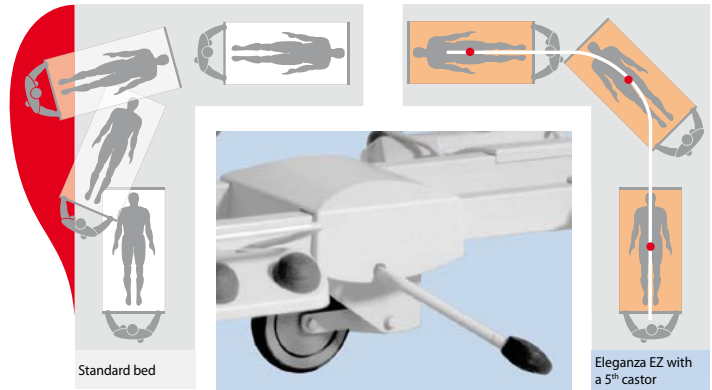


The bed's two mirror TR (Trendelenburg) and RTR (Reverse Trendelenburg) positions have an irreplaceable role in acute care.

USEFUL FEATURES

The broad range of standard equipment included with the Eleganza EZ is based on real needs and will meet the requirements of various departments and specific patients.

THE 5th CASTOR makes it easy for staff to handle the bed when turning corners and in places with restricted space.



THE INTEGRATED EXTENSION of the bed allows adjustment of the bed's length to the individual height of the patient.

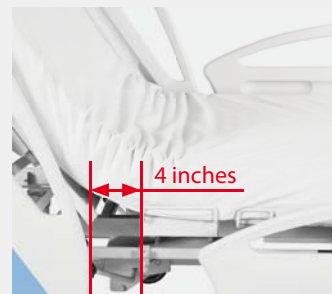


ELEGANZA

AUTOREGRESSION



The cardiac chair position is used for heart problems (cardiac insufficiency or blood clots) and as support during drainage. It is very comfortable and patients can use it during daily activities such as reading, watching TV, and when eating.



An important aid in the fight against pressure sores is autoregression of the mattress platform. The positioning of the backrest extends the pelvic area by 11 cm or 4 inches. This reduces pressure and minimizes friction forces which contribute to the formation of dangerous pressure ulcers.

Configuration

STANDARD EQUIPMENT

- Open architecture, flat 4-section mattress platform
- Removable sleep surface sections for easy cleaning
- Height adjustment from 15 to 30 inches by 2 proprietary telescoping column actuators
- Trendelenburg and Reverse Trendelenburg 16 degrees by actuator
- Adjustment of backrest and thigh rest by actuator
- Autocontour (conjoint adjustment of backrest and thigh rest)
- Retractable backrest (4 inches) - single autoregression for additional comfort
- Soft stop CPR mechanical unblocking of backrest
- Lock and Steer on all 4 corners of bed
- Retractable, central located 5th wheel for enhanced pivoting and steering capability
- Adjustable, 4 Foley bag hooks
- Universal accessory holder on both sides of bed
- Protective rollers on all 4 corners of bed (4 inches)
- Multi-location staff controls for easy operation from many points
- Patient pendant control
- Siderail communication system (nurse call)
- Electronic function lock out controls with GO Button for added safety
- 1 button cardiac chair position
- Degree indicator for head elevation
- Head and foot panel locking mechanism
- One touch gatch mechanism for feet elevation
- Staff control panel storage shelf
- Fixed head frame
- 8 location mattress stops for maximum mattress retention
- Bed extension (6 inches extension)
- Minimum gap rail system with drop down articulation
- Removable universal (interchangeable) head and foot ends with color panels, with safety locks

OPTIONAL FEATURES

- Digital bed scale
- Bed exit alarm system

ELEGANZA

1 BED ENDS

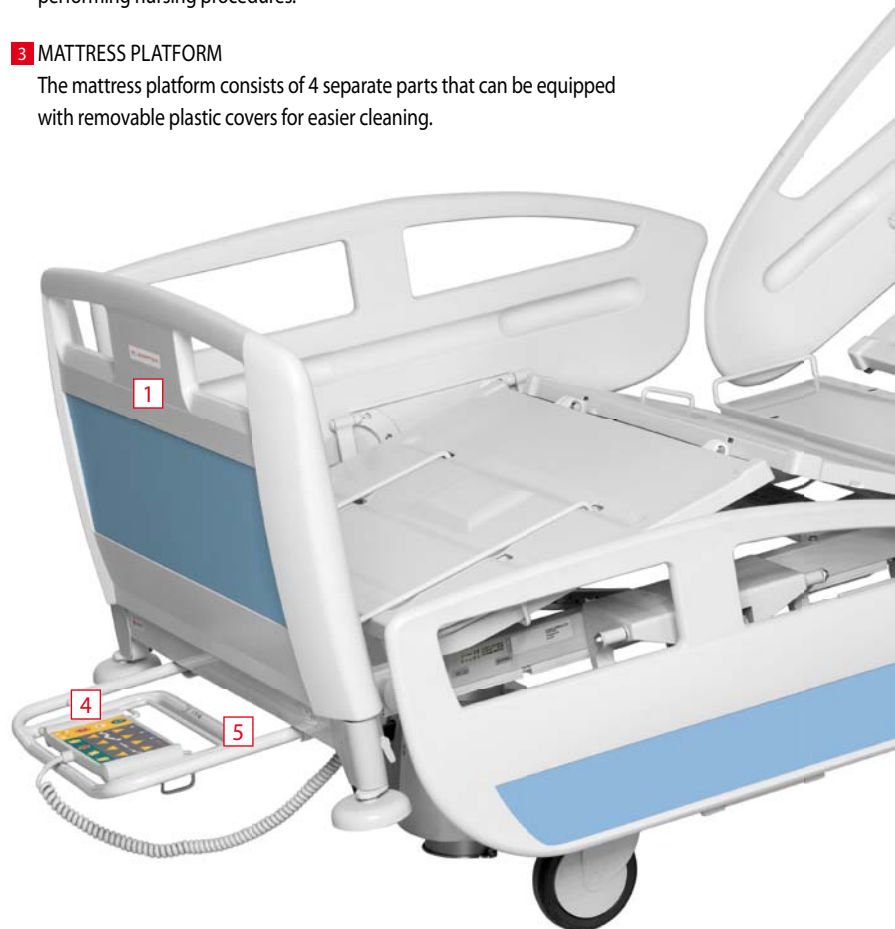
Ergonomically shaped bed ends facilitate bed handling. The material used meets the demanding requirements for easy hygiene maintenance.

2 SPLIT COLLAPSIBLE PLASTIC SIDERAILS

The unique two-section collapsible plastic siderail concept provides perfect protection against a fall and does not prevent staff from performing nursing procedures.

3 MATTRESS PLATFORM

The mattress platform consists of 4 separate parts that can be equipped with removable plastic covers for easier cleaning.



4 SUPERVISOR CONTROL PANEL

The Supervisor is a control unit for controlling all the bed functions. It is located in the foot end of the bed.

5 STORAGE SHELF

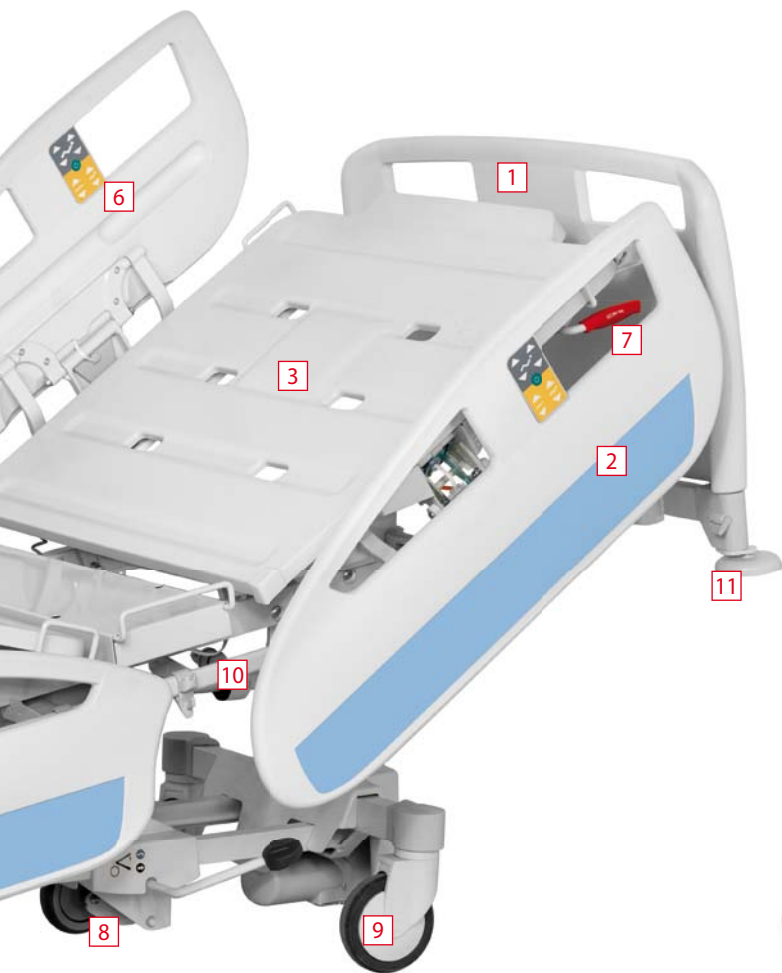
The extendable shelf at the foot end of the bed can serve as a shelf for storage, or as a holder for the Supervisor control panel.

6 SIDERAILS WITH INTEGRATED CONTROLS

The siderails are equipped with a practical control to serve patients and nursing staff.

7 BACKREST CPR UNBLOCKING CONTROL LEVER

An integral part of the bed is the mechanical control which activates the backrest and quickly adjusts the mattress platform into an appropriate position for cardiopulmonary resuscitation.



8 5th CASTOR

The transport of the bed can be significantly facilitated by a 5th castor on the bed's undercarriage. Thanks to this castor the bed can be steered even in a very narrow area.

9 CENTRALLY CONTROLLED CASTOR

An important safety element is the central castor control which prevents injuries if the bed brakes are not locked.

10 ACCESSORY BAR

The universal system allows regularly used accessories to be suspended.

11 SAFETY CORNER BUMPERS

The plastic castors located on the corners of the bed ends protect the bed against damage during transport. They also act as bumpers against any knocks.

SUPERVISOR CONTROL PANEL

The Supervisor nurse control is ergonomically shaped and its clear graphic design is user-friendly. Besides the series of functions, it contains a 4-position memory – cardiac chair, CPR, Trendelenburg and Reverse Trendelenburg.



HAND CONTROL

The patient and nurse practical features make it possible to control the bed's basic positions including the backrest tilt and the mattress platform height adjustment. The control is equipped with an examination light and has an under-lit keyboard.



FOOT CONTROL

The foot controls are located on both sides of the bed undercarriage and allow the practical and easy adjustment of the height and examination position. They are equipped with a mechanical protector against accidental activation.



SIDERAIL CONTROL

The control located in the siderail is easily accessible to the patient and enables the patient to adjust the bed's basic positions. The control can also be used by a less mobile patient.



GO BUTTON

The GO button safety concept aids in the protection against patient injury arising from random movement of the bed. The GO button activates the bed controls for 3 minutes. In unguarded moments the controls are inactive and cannot be accidentally activated. The GO button technology has been used on LINET products since 2000.

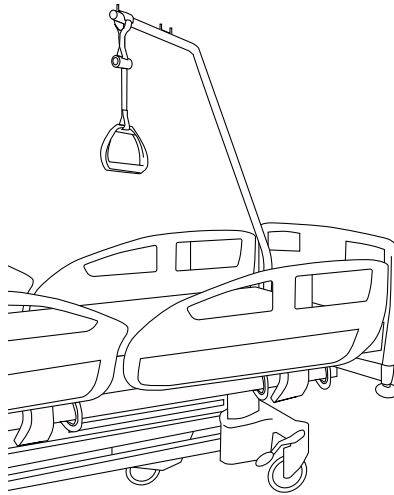
Beds have been equipped in advance with this safety element as required by the new EN 60601-2-52 standard.



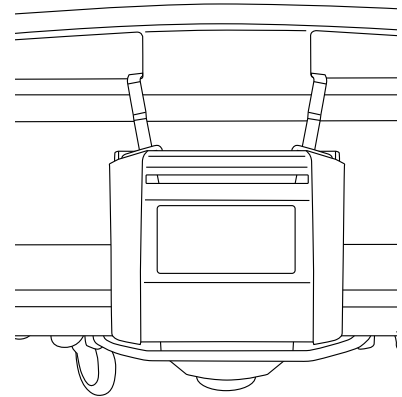
Accessory Variability

Eleganza EZ beds can be supplied with a broad range of accessories. The appropriate accessories increase the bed's utility features and fully respect the requirements and needs of the specific department. It encourages greater self-reliance of patients and facilitates the work of medical staff.

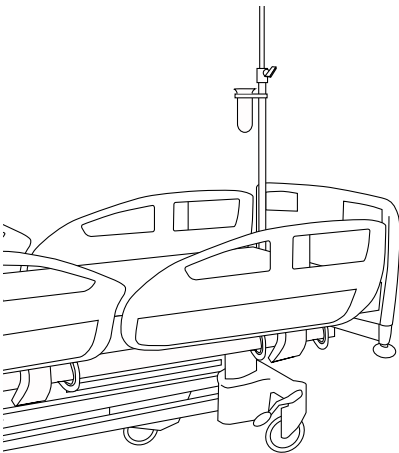
Lifting pole with handle



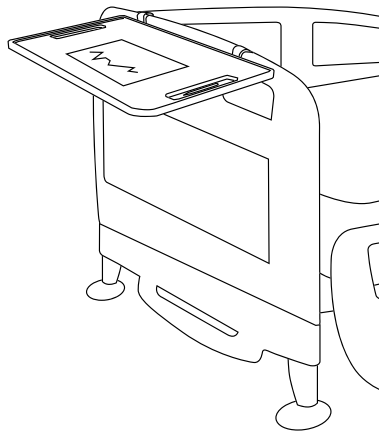
Active mattress compressor holder



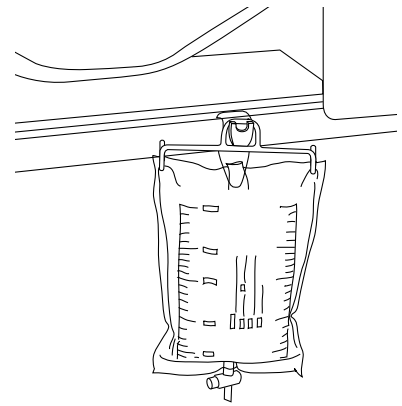
Infusion stand



Plastic writing shelf



Urine bag holder with adjustable tilt



Technical Parameters

STANDARDS

- LINET is certified according to European standards and quality systems: EN ISO 9001:2000, EN ISO 13485:2003.
- Products are manufactured according to European standards for medical technology and hospital beds: EC 60601-1:1988+A1: 1991+A2: 1995, EN 60601-1-2: 2007, EN 60601-1-4: 1996, EN 60601-2-38: 1996+A1: 1999, EN 1970: 2000, EN 14971: 2009, UL 60601-1: 2003, CAN/CSA-C22.2 No. 601.1-M90, UL 1069, 7th Edition Issued 11/12/2007, Rev: 01/22/2009.

ELECTRIC PARAMETERS

Power supply	110V, ±10%, 50–60 Hz
Maximum input	max. 3.15 A, 370 VA
Cover against water and dust	IP 54
Type of electric current protection	class I
Level of protection against electric current	Superimposed part type B
Actuator operating mode	10%, max. 2 min/18 min

ELEGANZA

Design is your choice

universal hospital bed

COLOR SELECTION

The Eleganza EZ bed design meets the latest aesthetic trends in healthcare. The color versions of the bed ends are highly variable and fully blend in with the surroundings.

COLOR RANGE

1. Oslo blue
2. Aquamarine



WOODEN PANELS

Although the Eleganza EZ is a hospital bed and comes in a modern range of colors, it also comes in versions with wooden decors. It evokes a homely feeling and pleasant interior. It has a calming effect particularly on older users who feel better in a traditional environment.

WOODEN DECORS

- A. Natural beech
- B. Cherry



Prominent Industrial Designer

Jiří Španihel has been engaged in healthcare industrial design for twenty years now. He has also been engaged in long-term cooperation with LINET.

He is the author of the successful Eleganza range of hospital beds including the Eleganza EZ bed, the Image hospital bed and the Eleganza Mano bedside cabinet. All these products have been awarded prestigious designer prizes.

He is also the designer of an innovative delivery bed and multi-purpose nursing chair. Besides this, he is also engaged in transport projects.



JIŘÍ ŠPANIHEL, DESIGNER



ELEGANZA



Linnet Americas, 10420-R Harris Oaks Blvd, Charlotte, NC 28269
tel: 704 248 5650, fax: 704 248 5655, e-mail: info@linetamericas.com, www.linetamericas.com